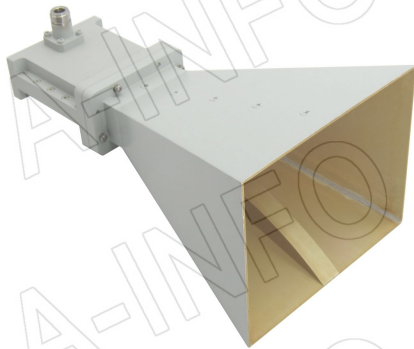


For reference only. See data sheet for the detailed specifications.

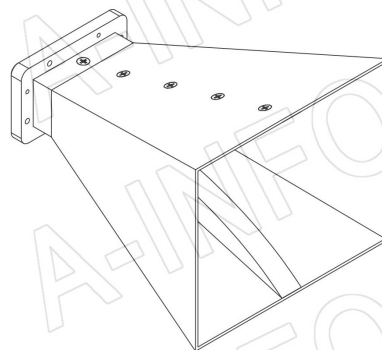
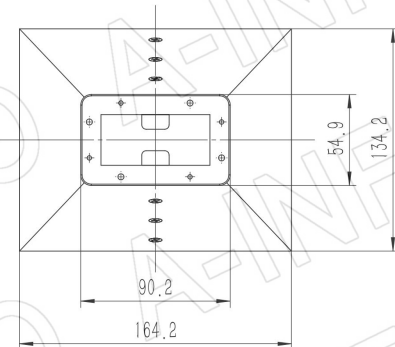
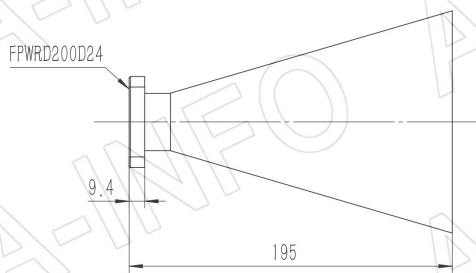
## Technical Specification



Frequency Range(GHz)	2.0 –4.8
Gain(dBi)	10 Typ.
Polarization	Linear
3dB Beamwidth(deg)	E Plane: 57 - 26
	H Plane: 54 - 29
Cross Pol. Isolation(dB)	25 Typ.
VSWR	1.5:1 Typ.
Output	A Type: FPWRD200D24
	C Type: N-Female or SMA-Female
Power Handling(W CW)	N-Female: 500 Max.
	SMA-Female: 50 Max.
Material	Al
Finish	Chemical Conversion Coating, Gray Paint
Size(mm)	A Type: 164.2 x 134.2 x 195
	C Type: 164.2 x 134.2 x 292
Net Weight(Kg)	A Type: 0.7 Around
	C Type: 1.2 Around

## Outline Drawing (Size: mm)

FPWRD200D24 Output (P/N: LB-2048-10-A)



## AINFO Inc.

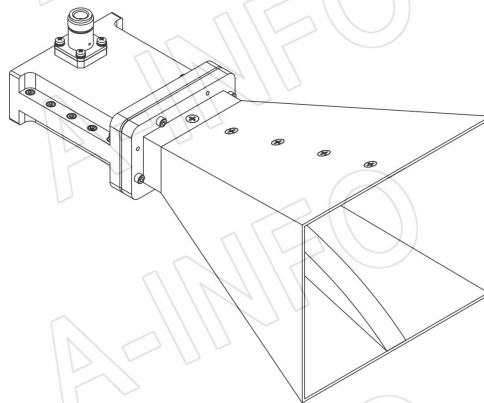
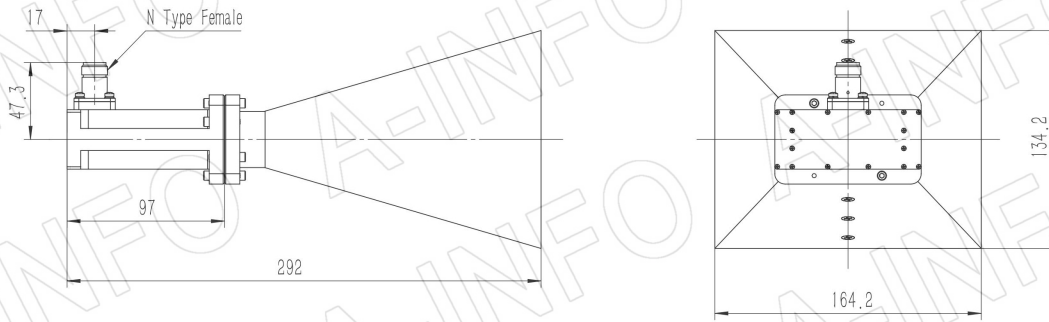
China(Beijing): Tel: (+86) 10-6266-7326,  
 China(Chengdu): Tel: (+86) 28-8519-2786,  
 USA : Tel: (+1) 949-639-9688,

(+86) 10-6266-7327 Fax: (+86) 10-6266-7379  
 (+86) 28-8519-3044 Fax: (+86) 28-8519-3068  
 (+1) 949-639-9608 Fax: (+1) 949-639-9670

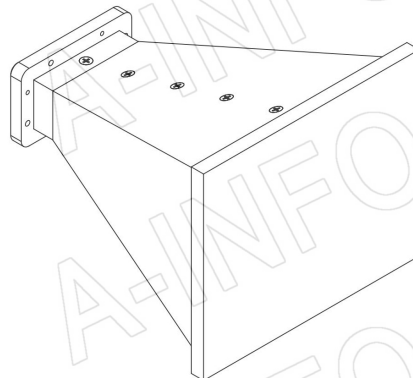
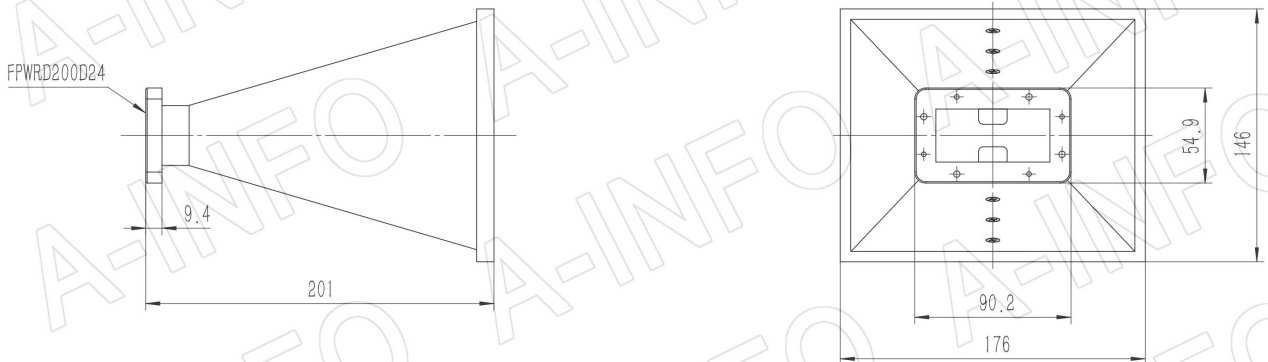
Website: [www.ainfoinc.com](http://www.ainfoinc.com)  
 Email: [sales@ainfoinc.com](mailto:sales@ainfoinc.com)

## N-Female Output (P/N: LB-2048-10-C-NF)

For SMA-Female output outline drawing, please contact A-INFO.



## FPWRD200D24 Output with Radome (Option, P/N: LB-2048-10-ASPO, Outdoor Application)



### AINFO Inc.

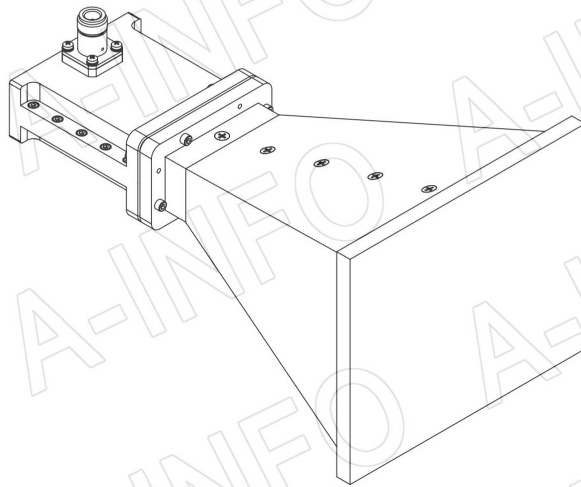
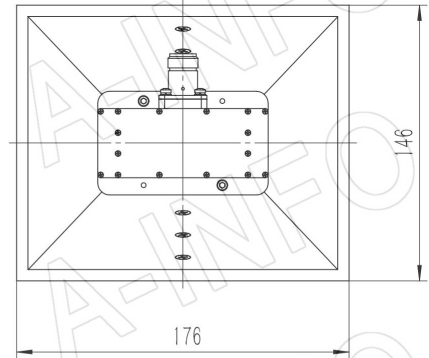
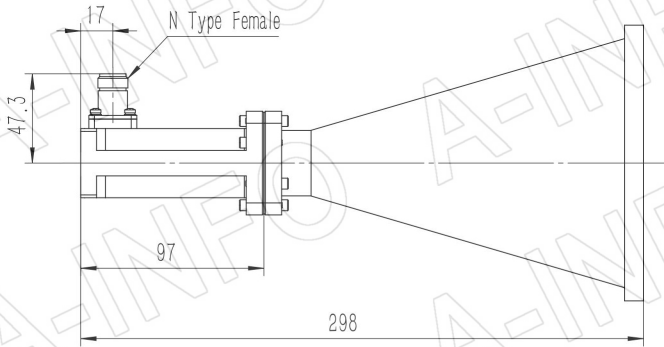
China(Beijing): Tel: (+86) 10-6266-7326,  
China(Chengdu): Tel: (+86) 28-8519-2786,  
USA : Tel: (+1) 949-639-9688,

Page 2 of 7  
(+86) 10-6266-7327 Fax: (+86) 10-6266-7379  
(+86) 28-8519-3044 Fax: (+86) 28-8519-3068  
(+1) 949-639-9608 Fax: (+1) 949-639-9670

Website: [www.ainfoinc.com](http://www.ainfoinc.com)  
Email: [sales@ainfoinc.com](mailto:sales@ainfoinc.com)

## N-Female Output with Radome (Option, P/N: LB-2048-10-C-NFSPO, Outdoor Application)

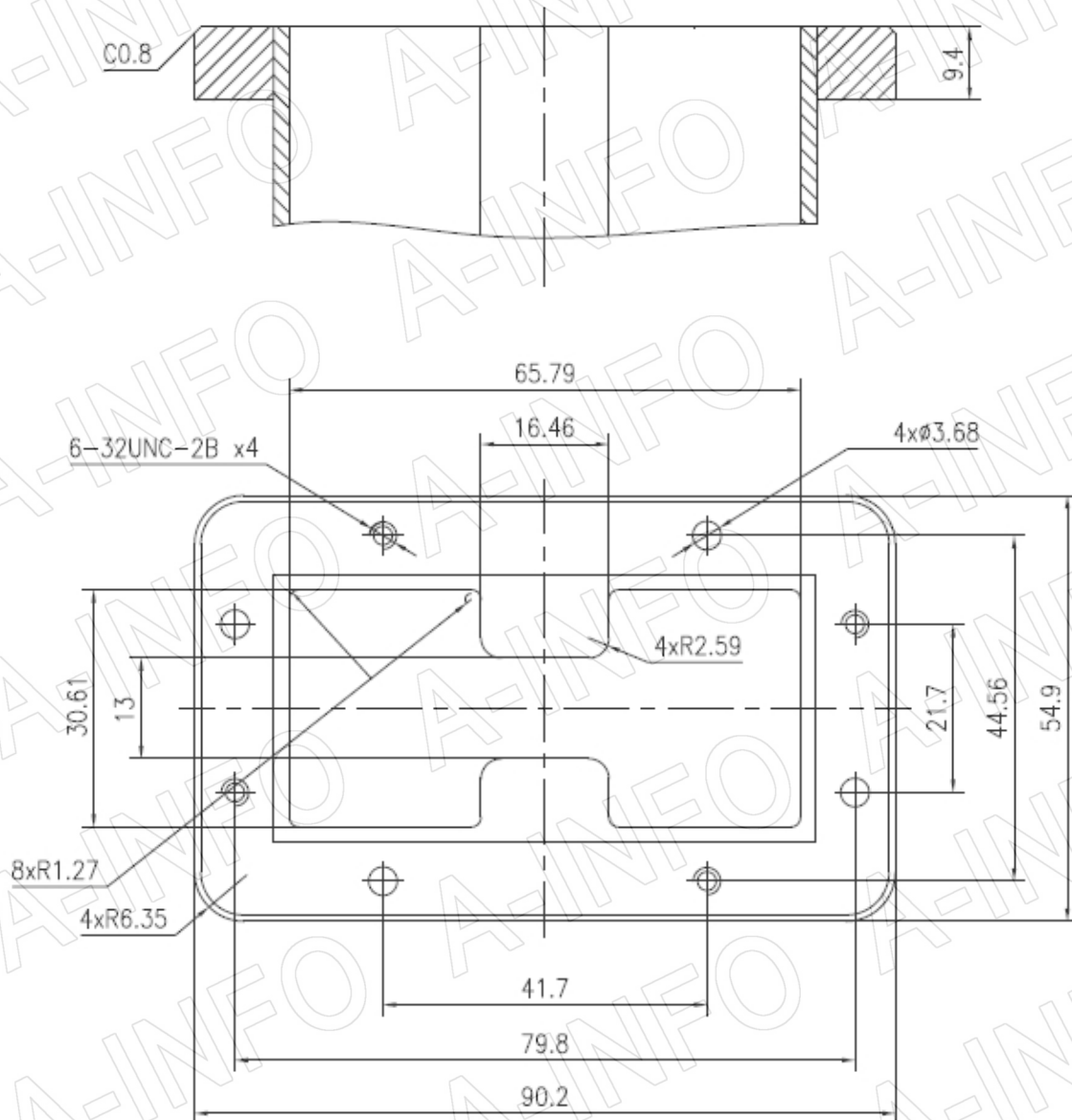
For SMA-Female output outline drawing, please contact A-INFO.



## Flange Drawing (Size: mm)

### FPWRD200D24

(With four through mounting holes  
and four screws holes)



## AINFO Inc.

China(Beijing): Tel: (+86) 10-6266-7326,  
China(Chengdu): Tel: (+86) 28-8519-2786,  
USA : Tel: (+1) 949-639-9688,

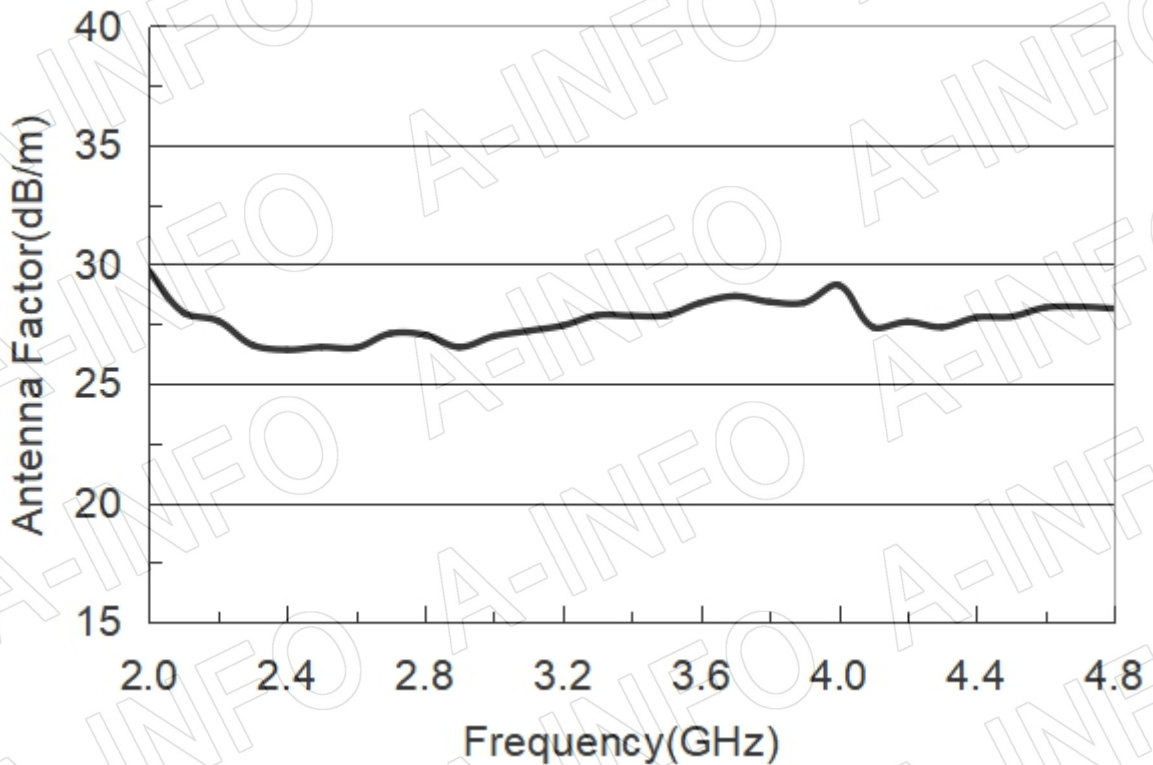
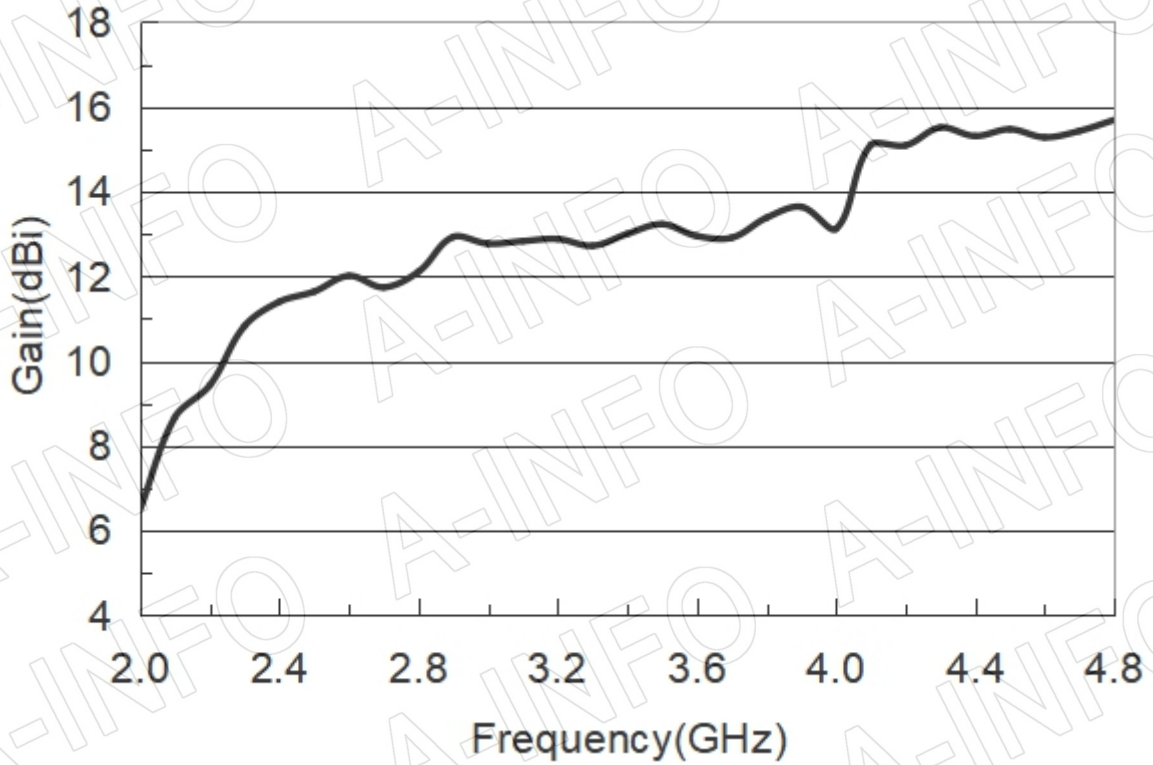
Page 4 of 7

(+86) 10-6266-7327 Fax: (+86) 10-6266-7379  
(+86) 28-8519-3044 Fax: (+86) 28-8519-3068  
(+1) 949-639-9608 Fax: (+1) 949-639-9670

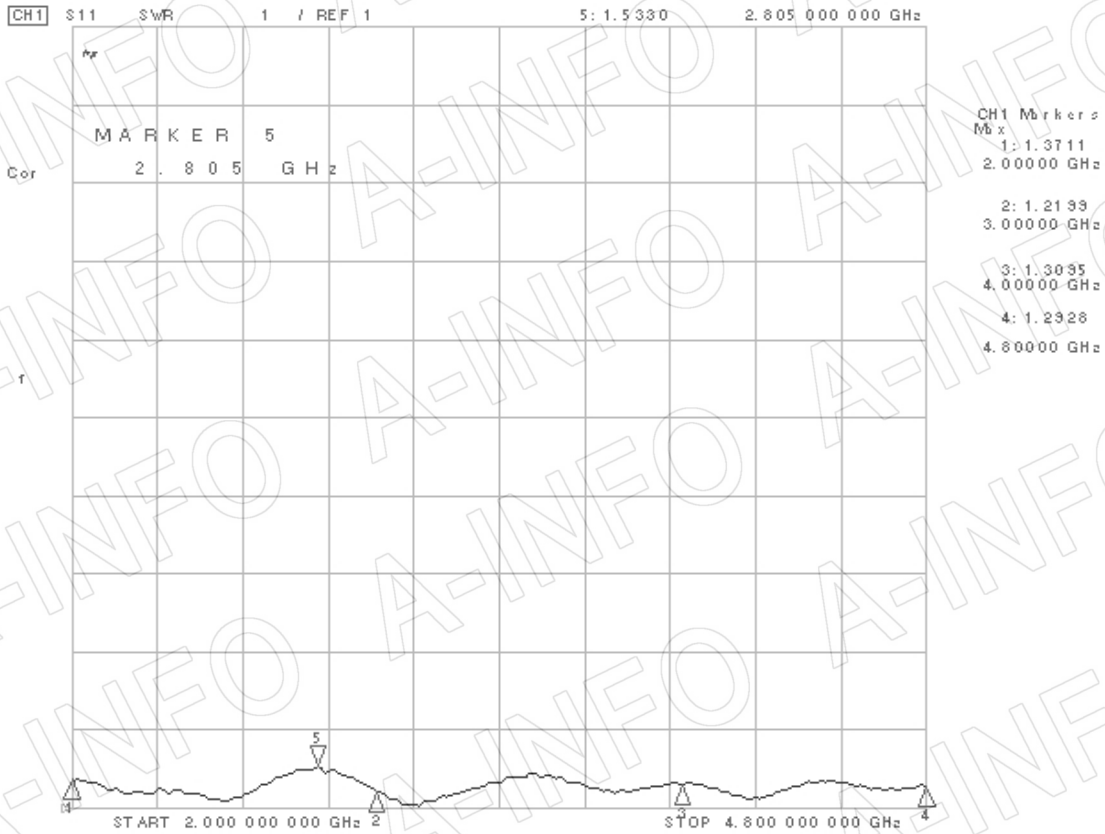
Website: [www.ainfoinc.com](http://www.ainfoinc.com)  
Email: [sales@ainfoinc.com](mailto:sales@ainfoinc.com)

## Test Results

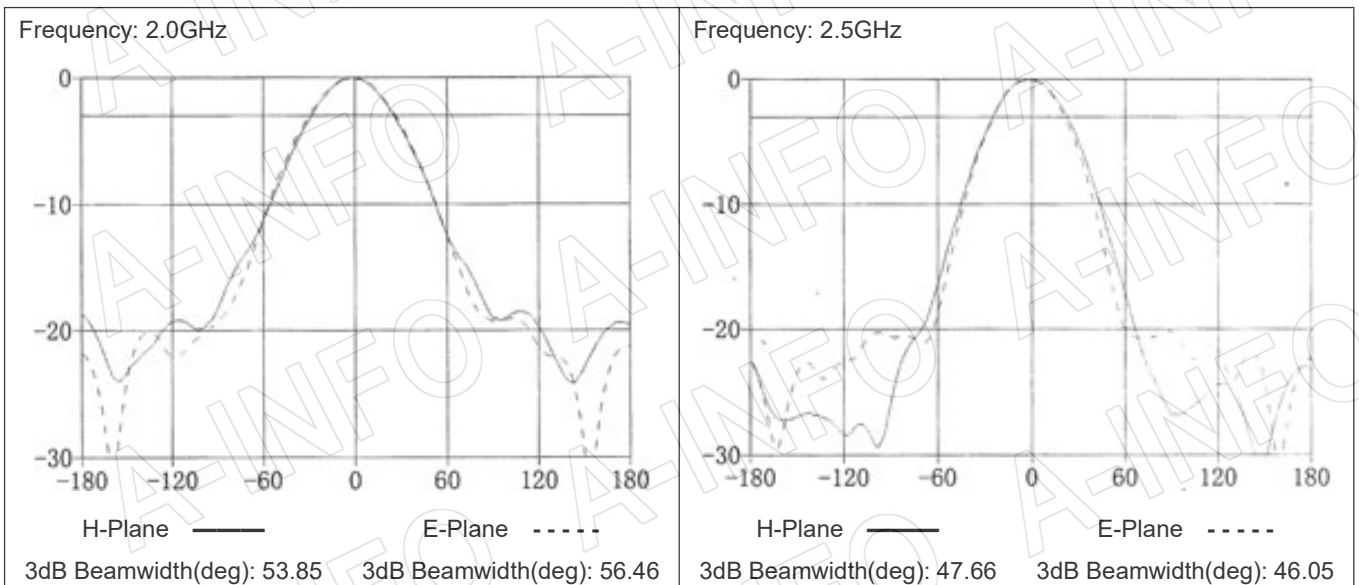
### 1. Gain & Antenna Factor



## 2. VSWR



## 3. Pattern



**AINFO Inc.**

China(Beijing): Tel: (+86) 10-6266-7326,  
China(Chengdu): Tel: (+86) 28-8519-2786,  
USA: Tel: (+1) 949-639-9688,

(+86) 10-6266-7327  
(+86) 28-8519-3044  
(+1) 949-639-9608

Page 6 of 7

Fax: (+86) 10-6266-7379  
Fax: (+86) 28-8519-3068  
Fax: (+1) 949-639-9670

Website: [www.ainfoinc.com](http://www.ainfoinc.com)  
Email: [sales@ainfoinc.com](mailto:sales@ainfoinc.com)

